

LNGi40

LNG Storage and Regasification System

32400 GAL

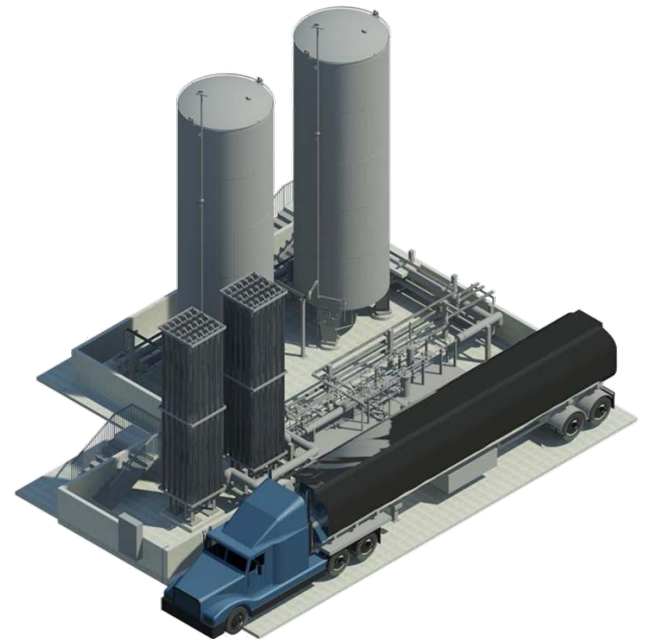
47000 CFH

The LNGi40 is a complete LNG storage and regasification system that stores and gasifies LNG for on-site customer use. The LNGi40 is designed to meet NFPA 59A and factory mutual (FM) requirements. The LNGi40 delivers the on-site natural gas required in a compact footprint with an extremely high level of reliability. The LNGi40 is constructed industry leading components and is built to last with an expected useful life of 20+ years.

The LNGi40 is **part of a family of LNG storage and regasification systems provided by Genplant** that integrate the best technology, engineering design and comprehensive state-of-the-art controls into a streamlined fully modular and pre-tested manufactured solution. The LNGi40 can be delivered and installed in less than 30 weeks.

The LNGi40 operates automatically and has built-in safeties to protect facility personnel, fuel delivery personnel and the environment.

The LNGi40 comes standard with a 5 year warranty and industry leading performance guarantees for storage capacity, natural gas production capacity, reliability, sound, and durability.



Key Features

- Low CAPEX and OPEX Cost with 5 year warranty
- Easy to Install and Operate
- Pre-designed and Manufactured
- NFPA 59A and FM Approved Design
- Delivered, Installed and Commissioned in 30 weeks
- Guaranteed performance

Performance

	<i>Unit</i>	Imperial	<i>Unit</i>	Metric
LNG Storage Capacity	gal	32,400	liter	123,120
Maximum Gas Flow Rate	ft ³ /hr	47,000	m ³ /hr	1,331
Offloading Pump Capacity	gpm	190	lps	0.833
Thermal Energy @ Max Gas Flow Rate	Btu/hr	761,400	kW/hr	63
Natural Gas distribution pressure	psi	60	bar	4.1

Connection Dimensions

LNG Supply	Inches	2.5	DN	65
Natural Gas Supply	Inches	4	DN	100

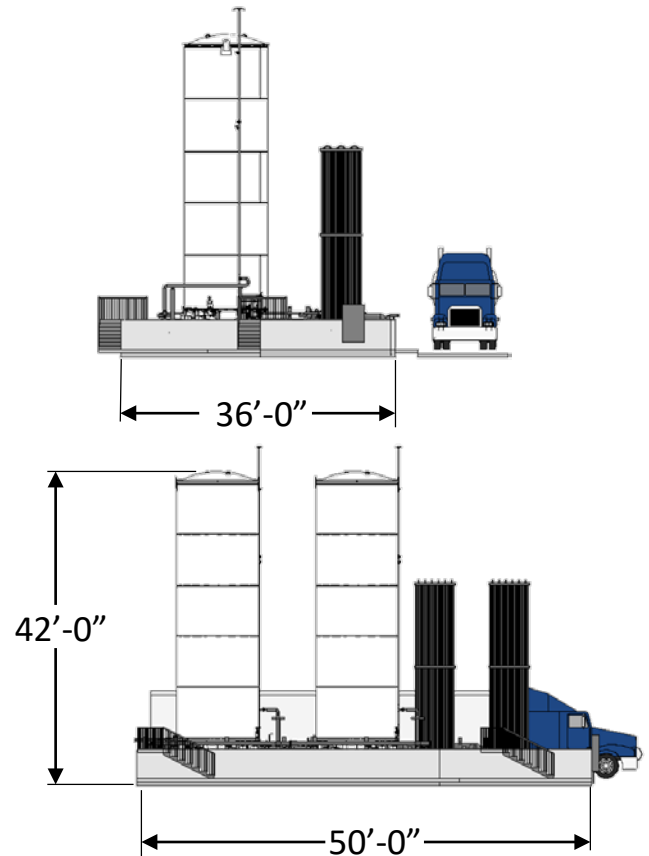
LNG Storage and Regasification System

Power and Control Interface

Control

CAT-5	Standard
Fiber optic	Optional

Electrical (480V/400V)	AWG	Metric (mm)	Quantity
Phase 1	1/0	70	1
Phase 2	1/0	70	1
Phase 3	1/0	70	1
Ground	2	25	1



About Us

Genplant delivers on-site energy services and energy plant solutions that reduce on-site energy cost, improve reliability, reduce environmental footprint and ensure long term performance.

Genplant follows a customer driven, consultative approach that integrates our customers, our strategic partners, our templated energy plant solutions, and our energy system design and delivery experience to achieve the optimum solution that reduces overall energy costs and insures sustainable energy supply.

Our business model insures that our customers receive the best possible solution in terms of cost, quality and sustainability. By being able to quickly and efficiently determine the potential benefits and associated cost, schedule and project logistics of multiple energy solution options, it allows our customers to make the best decision for their business without a significant financial and time commitment.

Our templated energy plant solutions that are based on proven energy plant technology, equipment and designs allow us to start with a understanding of the exact cost of a potential solution early in the due diligence process and focus on the customer specific site integration and financial objectives. And after the presentation of the potential solutions, we are able to expedite the implementation and manage the project through completion.

We deliver value by providing on-site energy system expertise that when integrated with customer-centric services and innovative solutions lead to lower energy costs, higher energy efficiency and long-term sustainability.